

## CLEANING PROCEDURES

### Clean the steam outlet

⇒ after every use.

### Clean the drip tray

⇒ once a day.

### Clean the brewheads

⇒ once a day.

### Clean the filter-holders

⇒ once a day

### Clean the body

⇒ once a week.

## USE OF THE RENEKA CLEANING KIT

The RENEKA cleaning kit (ref. 9003479) is meant to facilitate and improve the maintenance of your machine. It comes with the following accessories:

- 1 obturator
- 1 box of 100 detergent tablets RENEKA (ref. 1011014)
- 1 cleaning brush (ref. 9003477)

## DAILY CLEANING

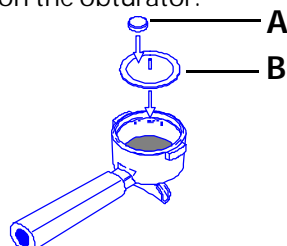
### BREWHEAD

The brewheads should be cleaned as follows on a daily basis:

- Remove the filter holder from the brewhead and empty the contents from prior use.

To remove the grease from the filter, the decompression circuit and electrical valve:

- Place the obturator (B) (ref. 9003478) in the two-cup filter-holder.
- Place the RENEKA detergent tablet (A) (ref. 1011014) on the obturator.

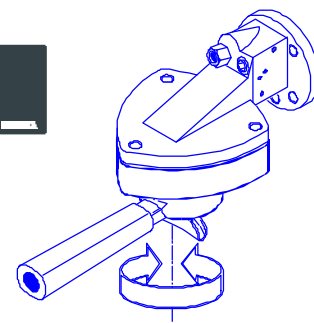


- Fit the filter-holder.
- Run 5 cycles of about 3 seconds each.

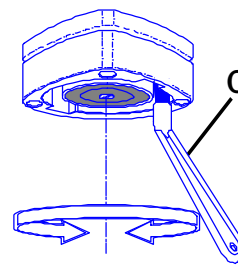


**To clean the filter holder gasket:**

- Remove and replace the filter-holder by running a long cycle so that water overflows.



- Remove the filter-holder and the obturator.
- With the help of a brush (C) (ref. 9003477) complete the cleaning operation.



- Start a long cycle for rinsing.
- Replace the filter-holder.
- Start this all over again with all the brewheads.

### DRIP TRAY AND COLLECTOR

- Dismantle and wash the grill and the drip tray with water.
- Clean the collector (for used water) placed under the drip tray with a sponge.

## WEEKLY CLEANING

- Clean the filter unit and the filter-holder by leaving them overnight in water with two tablets of RENEKA detergent (ref. 1011014).
- Then rinse with lukewarm water.
- Clean the machine with a wet sponge and then wipe with a dry piece of cloth. The use of abrasives causes damage to the surfaces.